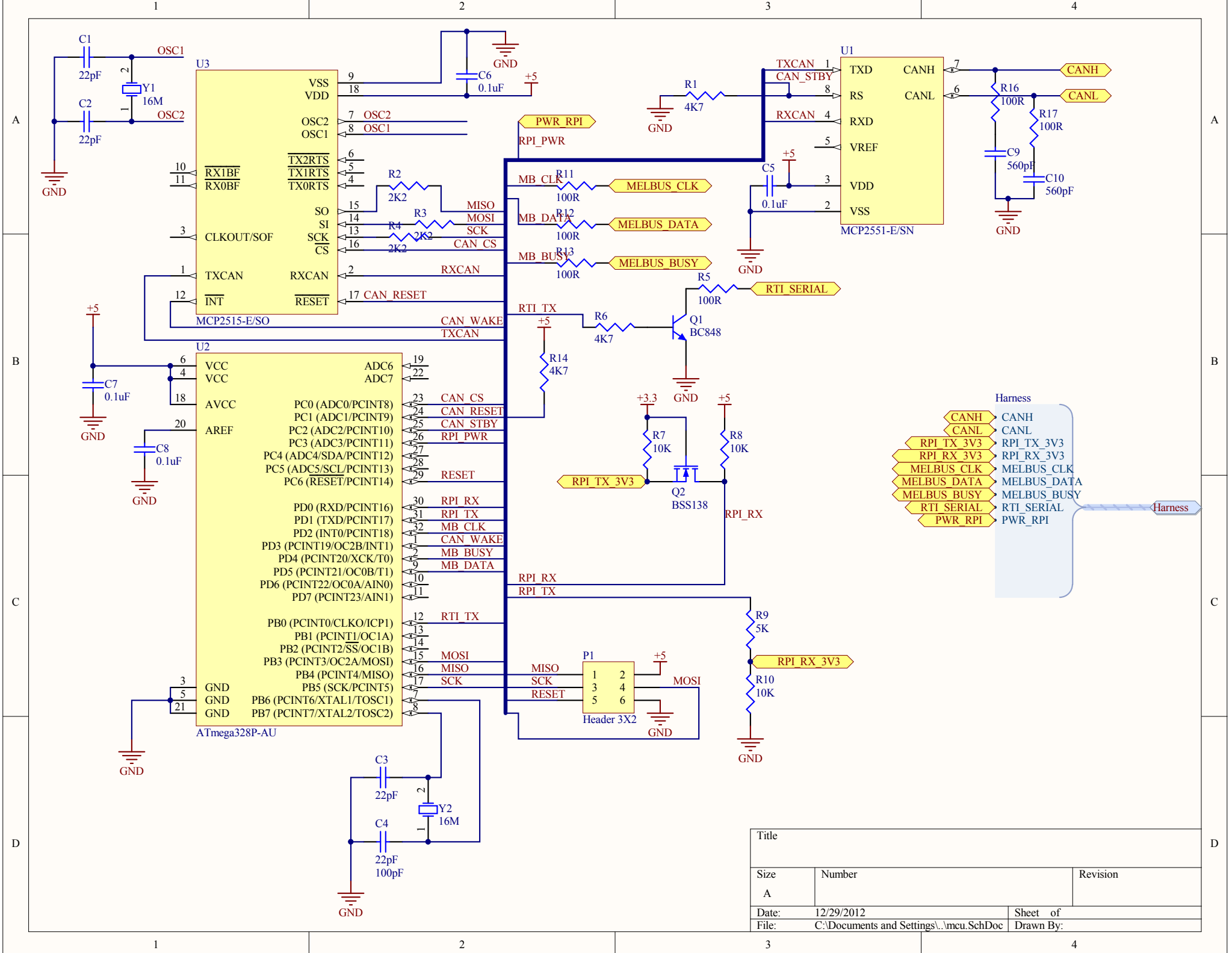


| | | |
|-------|---|-----------|
| Title | | |
| Size | Number | Revision |
| A | | |
| Date: | 12/29/2012 | Sheet of |
| File: | C:\Documents and Settings\...\connectors.SchDoc | |
| | | Drawn By: |



| | | |
|-------|--|-----------|
| Title | | |
| Size | Number | Revision |
| A | | |
| Date: | 12/29/2012 | Sheet of |
| File: | C:\Documents and Settings\...\mcu.SchDoc | Drawn By: |

1

2

3

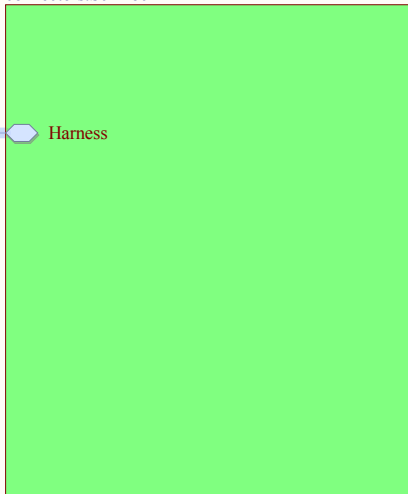
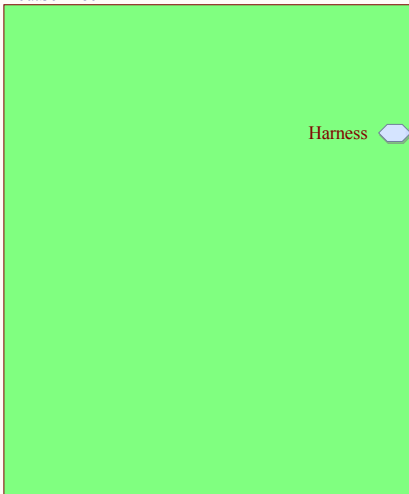
4

A

A

Designator
mcu.SchDoc

Designator
connectors.SchDoc



Harness



Harness

B

B

C

C

D

D

| | | |
|-------|--|-----------|
| Title | | |
| Size | Number | Revision |
| A | | |
| Date: | 12/29/2012 | Sheet of |
| File: | C:\Documents and Settings\...\top.SchDoc | Drawn By: |

1

2

3

4

RPi CarPC shield

© fest, 2012

#hspace.1v

